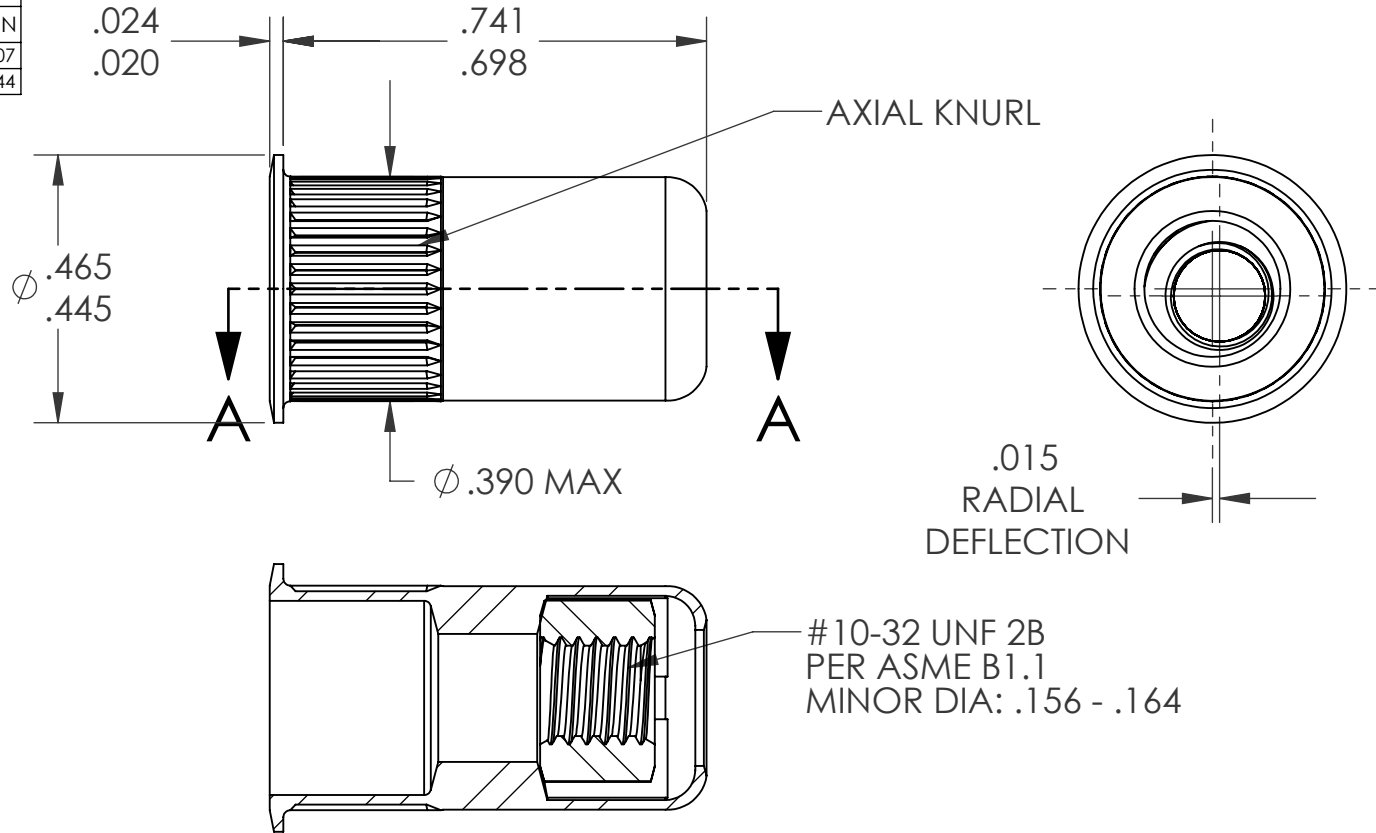


REVISIONS			
REV.	DESCRIPTION	DATE	ECN
A	INITIAL RELEASE	10/30/08	1107
B	CHANGED ANVIL SIZE	2/6/09	1144



SECTION A-A


NOTE:

- GRIP RANGE: .027 - .150
- HOLE SIZE: ϕ .391 AFTER ALL APPLIED FINISHES.
- INSTALLED LENGTH: .522 REF.
- LUBRICATION: NONE
- INSTALLATION TOOL: MS 50 SPIN-PULL (ANVIL - MA-159-1032RF)

U.S. PATENT NO. 7,713,011

PROPRIETARY AND CONFIDENTIAL
 THIS DRAWING, AND THE INFORMATION CONTAINED HEREIN, ARE THE PROPERTY OF SHEREX AND ARE NOT TO BE USED IN ANY MANNER DETRIMENTAL TO THE INTEREST OF THE COMPANY.
 SHEREX SOLUTIONS RESERVES THE RIGHT TO REVISE PART/DRAWING WITHOUT NOTICE.

		UNLESS OTHERWISE SPECIFIED:	NAME	DATE
		DIMENSIONS ARE IN INCHES TOLERANCES: ANGULAR: MACH \pm 1 BEND \pm 1 TWO PLACE DECIMAL \pm .01 THREE PLACE DECIMAL \pm .002	DRAWN	JVK 10/30/08
		INTERPRET GEOMETRIC TOLERANCING PER: ASME Y14.5M-1994	CHECKED	
		MATERIAL BODY: C1008/1010 NUT: MED. CARBON STEEL	ENG APPR.	JVK 10/30/08
		FINISH BODY AND NUT: ZINC PLATE (CLEAR TRIVALENT CHROMATE) RoHS COMPLIANT; 8-12 μ m	MFG APPR.	AP 11/13/08
NEXT ASSY	USED ON		Q.A.	
			COMMENTS:	
			E-mail: info@sherex.com	
			www.sherex.com	
			Phone: 866-474-3739	
			Fax: 716-875-0358	

		
TITLE:		
SMALL FLANGE RIV-FLOAT®		
SIZE DWG. NO.		REV
A	RFK2-1032-150	B
SCALE: 2:1	WEIGHT: .0051 kg	SHEET 1 OF 1